

VANDAL RESISTANT CAMERAS - WS2 Recessed Surface Mount Dome



DESCRIPTION

The recessed surface mount WS2 is designed for ceiling or wall mounting and, with its recessed body, offers a low profile. Besides use in indoor applications such as schools or hospitals, the environmentally sealed body allows outdoor use in areas such as loading docks or parking garages. A day/night camera is also available.

FEATURES

- Cast aluminum construction
- 3-axis camera bracket, allowing 360° pan, 180° tilt
- Environmentally sealed
- Clear or tinted dome with liner
- Mounts to standard double gang box (not provided)
- Tamper-resistant fasteners

CAMERA/LENS CHOICES

- Standard or hi-res b/w
- Standard or hi-res color
- Hi-Res day/night
- Fixed 3.6mm
- Vari-focal 4-8mm
- Auto iris 4-9mm

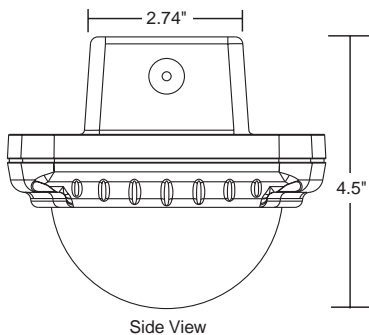
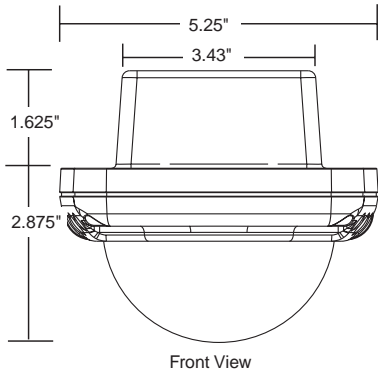
CERTIFICATIONS

Designed for NEMA 4, IP65



ARCHITECTURAL/ENGINEERING SPECIFICATIONS

The WS2 housing back box and lower body shall both be manufactured from 3/16" thick cast aluminum with an off-white powder coat finish. The housing shall be environmentally sealed. The dome shall be constructed of 1/8" thick polycarbonate. A camera bracket with three-way adjustment shall be included. Adjustments shall include 360° pan of the entire bracket, 180° tilt of the lens bracket, and a 90° tilt of the lower portion of the bracket in instances where the entire housing must be mounted at an angle. To fully conceal the back box the use of a standard double gang box is recommended. Available with standard or hi-res black and white, standard or hi-res color, or hi-res day/night cameras; fixed, iris vari-focal or auto iris varifocal lens. A factory installed NVT twisted pair module, IFS fiber transmitter card and 24 VAC heater shall be available as options.



MECHANICAL SPECIFICATIONS

Cable Entry Opening in back box
Pan/Tilt Manual; 360° pan / 180° tilt

CONSTRUCTION 3/16" thick cast aluminum
1/8" polycarbonate dome

FINISH Off-white powder coat

DIMENSIONS

Base 5.25" (H) x 5.25" (W) x 4" (D)
Dome 3.875" diameter

ELECTRICAL SPECIFICATIONS

| | |
|--------------------|----------------------------------|
| Input Voltage | 12 - 28 VDC or 15 - 28 VAC |
| | Must be a regulated power supply |
| Current Draw | 12 VDC - 350mA; 24 VAC - 202mA |
| Power Requirements | |
| Camera | 12 VDC - 4.2W; 24 VAC - 4.8W |
| Heater | 7W (24 VAC only) |
| Video Connector | BNC |

ENVIRONMENTAL SPECIFICATIONS

Temperature Range 0° to 120° F

CAMERA SPECIFICATIONS - see page 29

FACTORY INSTALLED OPTIONS



- NVT twisted pair transmitter module (customer must purchase video receiver from NVT)



- IFS fiber transmitter card (customer must purchase receiver from IFS)

- 24 VAC heater

ADDITIONAL OPTIONS

- WSLP68 - Lens combination pack (6 mm, 8 mm)
- PS12 - 12VDC power supply

SHIPPING SPECIFICATIONS

| Model | Unit Weight | Shipping Weight | Shipping Box Dim. |
|-------|-------------|-----------------|-------------------|
| WS2 | 3 lbs | 4 lbs | 9 x 9 x 8 |

* Shipping weights depend on box dimensions.

VANDAL RESISTANT CAMERAS - Camera and Lens Specifications

WARRIOR CAMERA SPECIFICATIONS

| | Standard B/W Camera | Hi-Resolution B/W Camera | Standard Color Camera | Hi-Resolution Color Camera | Hi-Resolution Day and Night Camera |
|--------------------------|---|---|---|---|---|
| Signal System | EIA or CCIR | EIA or CCIR | NTSC or PAL | NTSC or PAL | NTSC or PAL |
| Imager | 1/3" CCD | 1/3" CCD | 1/3" CCD | 1/3" CCD | 1/3" CCD |
| Scanning System | 2:1 Interlaced | 2:1 Interlaced | 2:1 Interlaced | 2:1 Interlaced | 2:1 Interlaced |
| Synchronizing System | 12 VDC internal | 12 VDC internal | 12 VDC internal, 24 VAC line lock ² | 12 VDC internal, 24 VAC line lock ² | 12 VDC internal, 24 VAC line lock ² |
| Horizontal Resolution | 420 TV Lines | 570 TV Lines | 350 TV Lines | 480 TV Lines | 480 TV Lines |
| Signal-to-Noise Ratio | More than 48 dB | More than 48 dB | 50 dB or better | 50 dB or better | 50 dB or better |
| Minimum Illumination | 0.1 Lux (F1.2) | 0.08 Lux (F1.2) | 0.3 Lux (F1.2) | 0.4 Lux (F1.2) | Color - 0.4 Lux (F1.2) B/W - 0.08 Lux (F1.2) Switches to B/W at 1.6 Lux |
| Video Output | 1Vp-p 75 ohm composite | 1Vp-p 75 ohm composite | 1Vp-p 75 ohm composite | 1Vp-p 75 ohm composite | 1Vp-p 75 ohm composite |
| Gain Control | Auto | Auto | ON/OFF selectable dip switch | ON/OFF selectable dip switch | ON/OFF selectable dip switch |
| Electronic Iris | Auto | Auto | ON/OFF selectable dip switch | ON/OFF selectable dip switch | ON/OFF selectable dip switch |
| Auto Iris Control | N/A | DC Drive Iris Control w/adjustable level | DC Drive Iris Control w/adjustable level | DC Drive Iris Control w/adjustable level | DC Drive Iris Control w/adjustable level |
| Switchable Shutter Speed | 1/50 1/60 - 1/100,000 sec. (Auto) | 1/50 1/60 - 1/100,000 sec. (Auto) | Manual: 1/60, 1/100, 1/1000, 1/100000 dip switch | Manual: 1/60, 1/100, 1/1000, 1/100000 dip switch | Manual: 1/60, 1/100, 1/1000, 1/100000 dip switch |
| White Balance | N/A | N/A | AWB/Indoor/Outdoor/ATW | AWB/Indoor/Outdoor/ATW | AWB/Indoor/Outdoor/ATW |
| Flickerless | N/A | N/A | ON/OFF selectable dip switch | ON/OFF selectable dip switch | ON/OFF selectable dip switch |
| Backlight Compensation | Auto | Auto | ON/OFF selectable dip switch | ON/OFF selectable dip switch | ON/OFF selectable dip switch |
| Lenses | 2.5,3.6,6,8,12,16mm Fixed ³ 4-8mm Fixed Iris Varifocal ¹ | 2.5,3.6,6,8,12,16mm Fixed ³ 4-8mm Fixed Iris Varifocal ¹ 3.5-8mm Auto-Iris Varifocal ¹ | 2.5,3.6,6,8,12,16mm Fixed ³ 4-8mm Fixed Iris Varifocal ¹ 4-9mm Auto-Iris Varifocal ¹ | 2.5,3.6,6,8,12,16mm Fixed ³ 4-8mm Fixed Iris Varifocal ¹ 4-9mm Auto-Iris Varifocal ¹ | 2.5,3.6,6,8,12,16mm Fixed ³ 4-8mm Fixed Iris Varifocal ¹ 4-9mm Auto-Iris Varifocal ¹ |

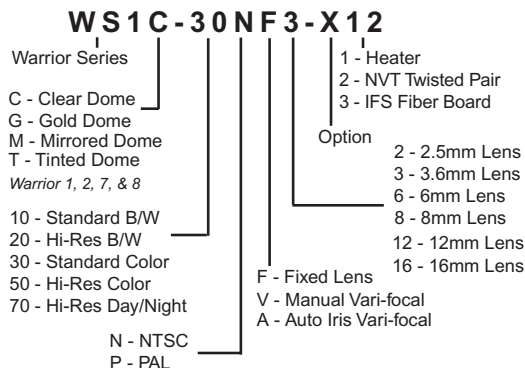
1 - Not available on Warrior 5 and 6 2 - Not available on Warrior Pan/Tilt 3 - Warrior 5 and 6 2.5mm and 3.6mm only

WARRIOR LENS SPECIFICATIONS

| FIXED LENSES | | | | | | |
|-----------------------|-------|-------|------|------|------|------|
| Focal Length | 2.5mm | 3.6mm | 6mm | 8mm | 12mm | 16mm |
| Format Size | 1/3" | 1/3" | 1/3" | 1/3" | 1/3" | 1/3" |
| Relative Aperture (F) | 2.0 | 2.0 | 2.0 | 2.0 | 2.0 | 2.0 |

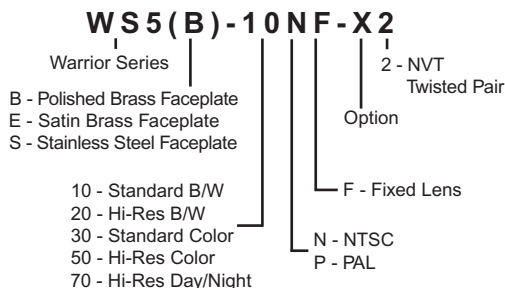
| VARIFOCA LENSES | | |
|-----------------------|-------------|-----------------|
| Focal Length | 4-8mm fixed | 4-9mm auto iris |
| Format Size | 1/3" | 1/3" |
| Relative Aperture (F) | 2 - 2.6 | 1.6 - 2.4 |

WARRIOR 1-4, 7-8 MODEL CHART

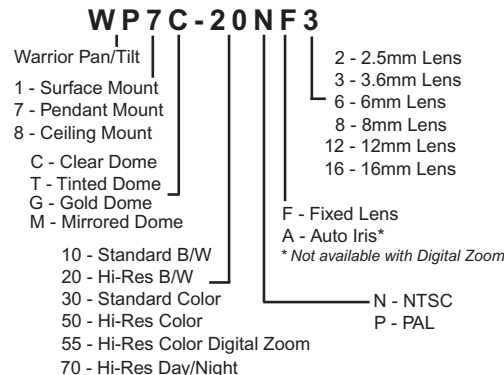


Some options may not be available on all models

WARRIOR 5 AND 6 MODEL CHART



WARRIOR PAN/TILT MODEL CHART



Product specifications are subject to change without notice.